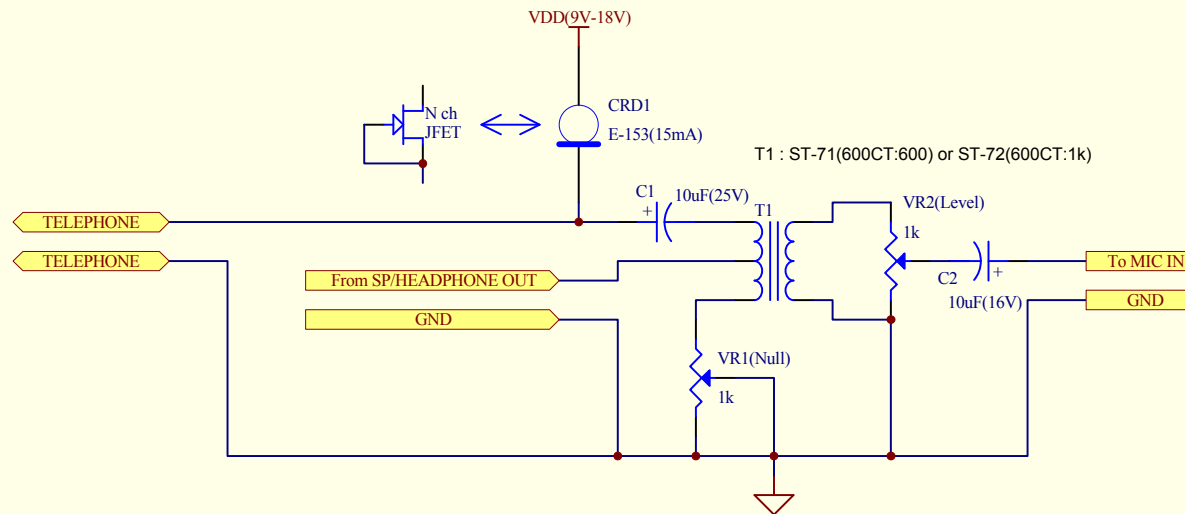


Simple Telephone I/F circuit for PC sound card

CAUTION! This is NOT "Telephone line" I/F circuit



Title			http://www.cepstrum.co.jp/		
Size	Number	Revision			
A4					
Date:	6-May-2012	Sheet of			
File:	C:\work\telephone_if.Sch	Drawn By:			