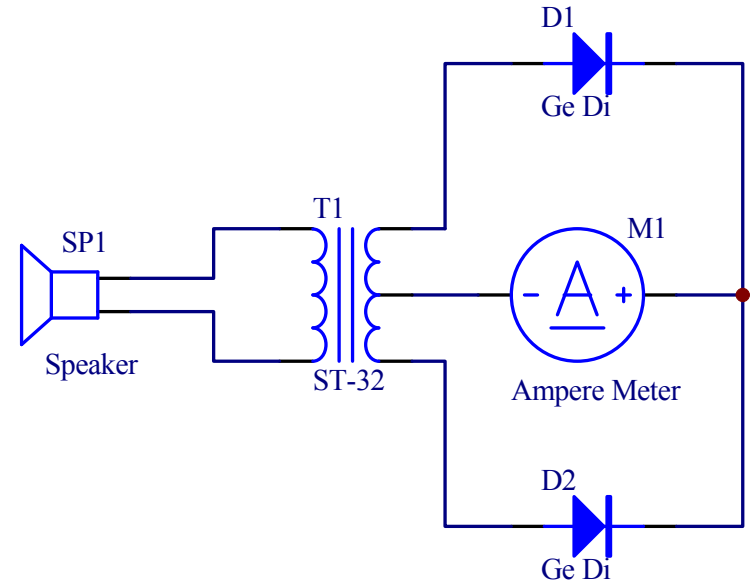


# Anotehr Improved Sound Power Generator



- SP1 : Speaker, 4 Ohm - 8 Ohm, 80mm - 160mm Dia.
- D1-D2 : Germanium Diode
- M1 : Ampere Meter, 50uA or 100uA FS
- T1 : Transformer 8 Ohm / 1200 Ohm (CT)

Title			<a href="http://www.cepstrum.co.jp/">http://www.cepstrum.co.jp/</a>		
Size	Number		Revision		
A4					
Date:	22-Oct-2015		Sheet of		
File:	C:\work\..another improved sound power		D:\work\..another improved sound power		