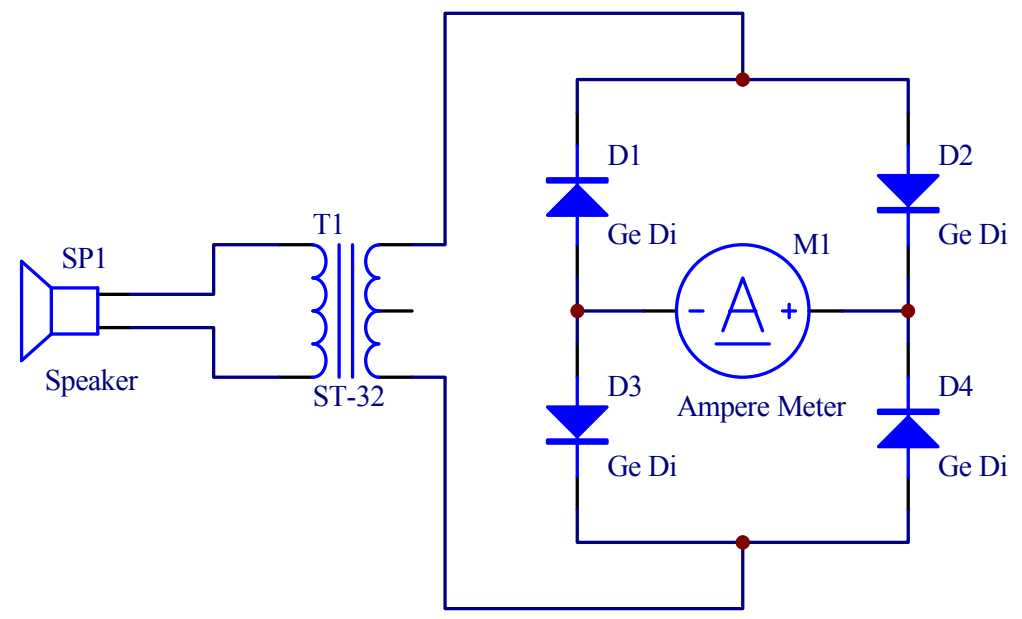


# Improved Sound Power Generator



- SP1** : Speaker, 4 Ohm - 8 Ohm, 80mm - 160mm Dia.
- D1-D4** : Germanium Diode
- M1** : Amperemeter, 50uA or 100uA FS
- T1** : Transformer 8 Ohm / 1200 Ohm

Title			<a href="http://www.cepstrum.co.jp/">http://www.cepstrum.co.jp/</a>		
Size	Number		Revision		
A4					
Date:	16-Jun-2015		Sheet of		
File:	E:\improved_sound_power_generator.Sch Drawn By:				