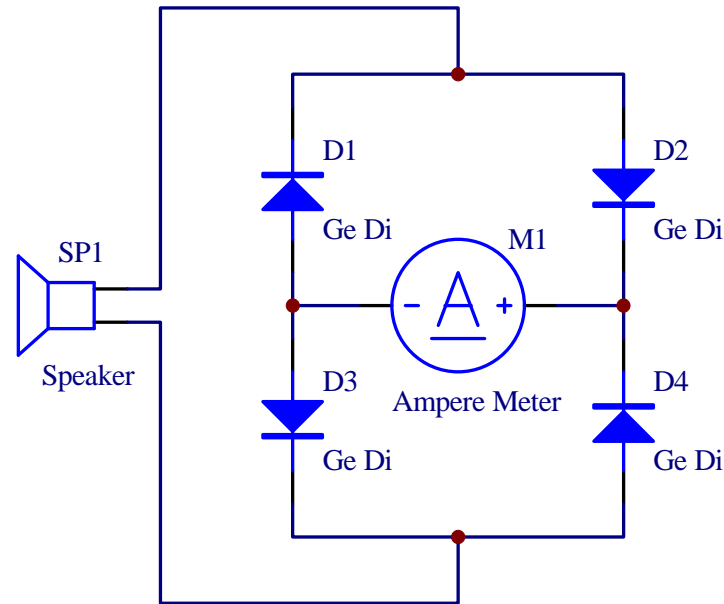


Sound Power Generator



- SP1** : Speaker, 4 Ohm - 8 Ohm, 80mm - 160mm Dia.
- D1-D4** : Germanium Diode
- M1** : Ampere Meter, 50uA or 100uA FS

Title			http://www.cepstrum.co.jp/		
Size	Number		Revision		
A4					
Date:	4-Dec-2014		Sheet of		
File:	E:\p\sound_power_generator.Sch		Drawn By:		