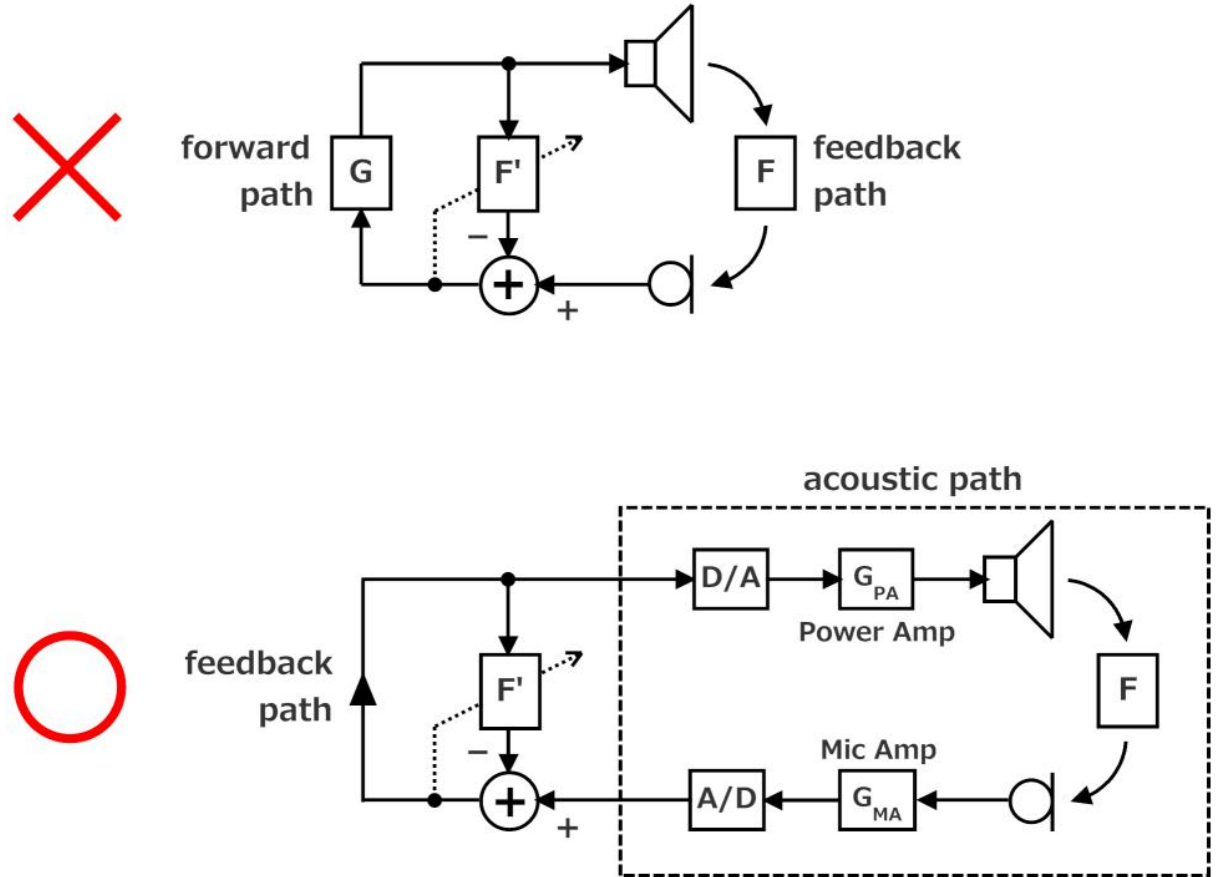


# Wrong and Correct Model of Adaptive Howling Canceller (Wrong and Correct Model of Adaptive Acoustic Feedback Canceller)



\* Acoustic path is not feedback path.

\* Feedback path don't have gain.

\* It is necessary to add limiter and decorrelator for real circuit.